

Control-switch

N6



The Control-switch N6 is a rugged switching device for hoisting applications. The modular design enables the switching device to be used universally. The N6 is resistant to oil, maritime conditions e.g. offshore /vessels, UV radiation typically from the sun.

Technical data

Mechanical life N6	10 million operating cycles
Operating temperature	-40°C to +85°C
Degree of protection	up to IP54



1

	N6	-DG	Example -01 Z P	-A05 P134	-X
Basic unit					
N6	incl. ISO-front plate 88 x 88 mm				
Grip					
DG	Twist grip				
Axis 1 (direction 2-4)					
01	2 contacts (2A 250 V AC15)				
Z	Spring return				
P	Potentiometer				
Description axis 1 (direction 3-4)					
A05	Arrangement MSP21				
P134	Potentiometer T396 2 x 5 kOhm				
Special model					
X	Special / customer specified				

Control-switch

N6



N6 -DG -01 Z P -A05 P134 -X

Basic unit

N6	incl. ISO-front plate 88 x 88 mm
N6A	incl. ISO-front plate 88 x 88 mm, IP65 (front)

Grip

KN	Knob
HG	Ball grip
DG	Twist grip

Axis 1: direction 3-4

(Standard contacts gold-plated 2A 250 V AC15)

01	<input type="checkbox"/> 2 contacts	Standard contact - arrangement see page 151
02	<input type="checkbox"/> 4 contacts	z.B.
03	<input type="checkbox"/> 6 contacts	A980 MS00
04	<input type="checkbox"/> 8 contacts	A05 MS21
05	<input type="checkbox"/> 10 contacts	A0500 MS21-00
06	<input type="checkbox"/> 12 contacts	A110 MS24-0
	<input checked="" type="checkbox"/> Silver contacts (4A 250 V AC15)	A99 contacts - arrangement according customer request

Z Spring return

R Friction brake

(P) Possibility of mounting potentiometer and encoder (Gessmann-types)

P	Potentiometer	P131	T396 2 x 0,5 kOhm	I max. 1 mA
		P132	T396 2 x 1 kOhm	I max. 1 mA
		P138	T396 2 x 2 kOhm	I max. 1 mA
		P134	T396 2 x 5 kOhm	I max. 1 mA
		P135	T396 2 x 10 kOhm	I max. 1 mA
<i>More potentiometers on request!</i>				

C C... Encoder see page 157

N6 -DG -01 Z P -A05 P134 -X

Special model

X Special / customer specified

Attachments

- Indicating label
- Indicating label with engraving

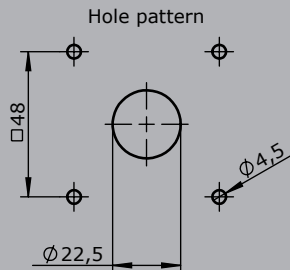
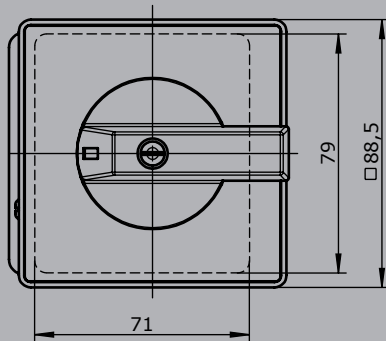
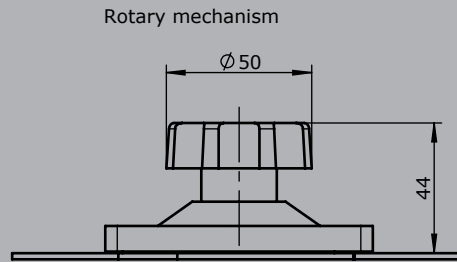
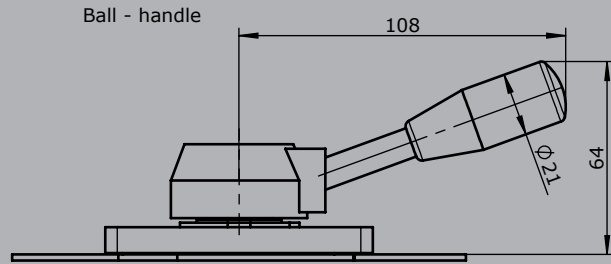
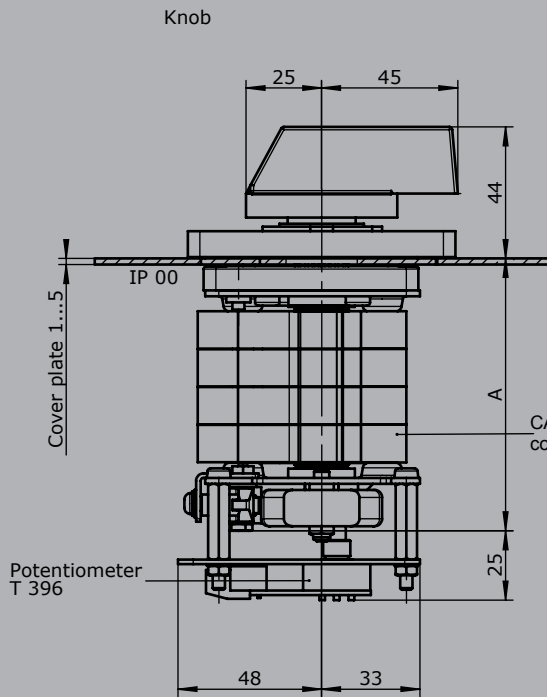


Control-switch

N6



1



Type	No. of contacts	Dim. A	Spring return
01	2	53	+25
02	4	65	
03	6	78	
04	8	90	
05	10	103	
06	12	115	

Technical details may vary based on configuration or application! Technical data subject to change without notice!