

# Crane Control Unit

## KST6 swiveling



The KST6 is an ergonomically designed swiveling crane control chair which provides a high degree of comfort.

### Equipment boxes:

The equipment boxes are vertically and horizontally adjustable. The arrangement of the joysticks, indicators and control devices is customised according to customer specifications. Cabling is carried out through a cross-member in the traverse. (Terminal block)

### Driver's seat:

As standard the KST6 is fitted with a KFS11 seat. The seat itself is fitted with a hydraulic vibration absorption system complete with weight adjustment to ensure that the comfort level is fitted with armrests and a headrest. There is the option to have the seat covered with air-permeable artificial leather.

### Cross-member with swivel base:

The cover of the sheet steel cross-member including the driver's seat is forward foldable. Thereby all wirings, terminals and bushings are easily accessible during commissioning and maintenance. Swivel base has zero-clearance bearing and can be locked by a friction brake.

### Surface treatment:

Base coat and textured varnish  
Standard colour RAL 9011 black



		Example														
		KST6	-U2	-M1	-F3	-LK	/	KFS 11	/	V64	/	V64.1	/	KL	/	X
<b>Basic unit</b>																
KST6	With equipment boxes															
<b>Base unit</b>																
U1	Swiveling 180° left, 90° right with friction brake															
U2	Swiveling 180° left, 90° right with detent															
U3	Electric swiveling 180° left, 90° right															
U4	Non swiveling															
U5	Without base frame															
<b>Attachments</b>																
M1	Monitor mounting with monitor housing															
M2	Monitor mounting with monitor mounting bracket															
M3	Monitor mounting without monitor housing/-mounting bracket															
F3	Footrest KBF/716															
H	Heater 2 x 2 kW with ventilator															
LK	Plate for horizontal manual adjustment for control units +/- 250 mm															
<b>Driver's seat</b>																
KFS11*	(Included in the delivery!)															
KFS9*																
KFS10*																
KFS12*																
*Description see Driver's seat page 248																

3

KST6   -U2   -M1   -F3   -LK   /   KFS 11   /   V64   /   V64.1   /   KL   /   X

Mounting for equipment boxes	
V...	Multi-axis Controller (see page 1)
S...	Single-axis Controller (see page 101)
D...	Double-handle Controller (see page 80)
N...	Control-switch (see page 142)
...	More command and indicating devices (see page 218)

Wiring	
KL	Without, but terminal block built each terminal
KLV	On terminal block 4 mm <sup>2</sup> with single wire 1 mm <sup>2</sup> each terminal
KLW	On SPS (SPS provision) with single wire 1 mm <sup>2</sup> each terminal
KLVA	External wiring single wire highly flexible 1,5 mm <sup>2</sup> , 5 m long each terminal

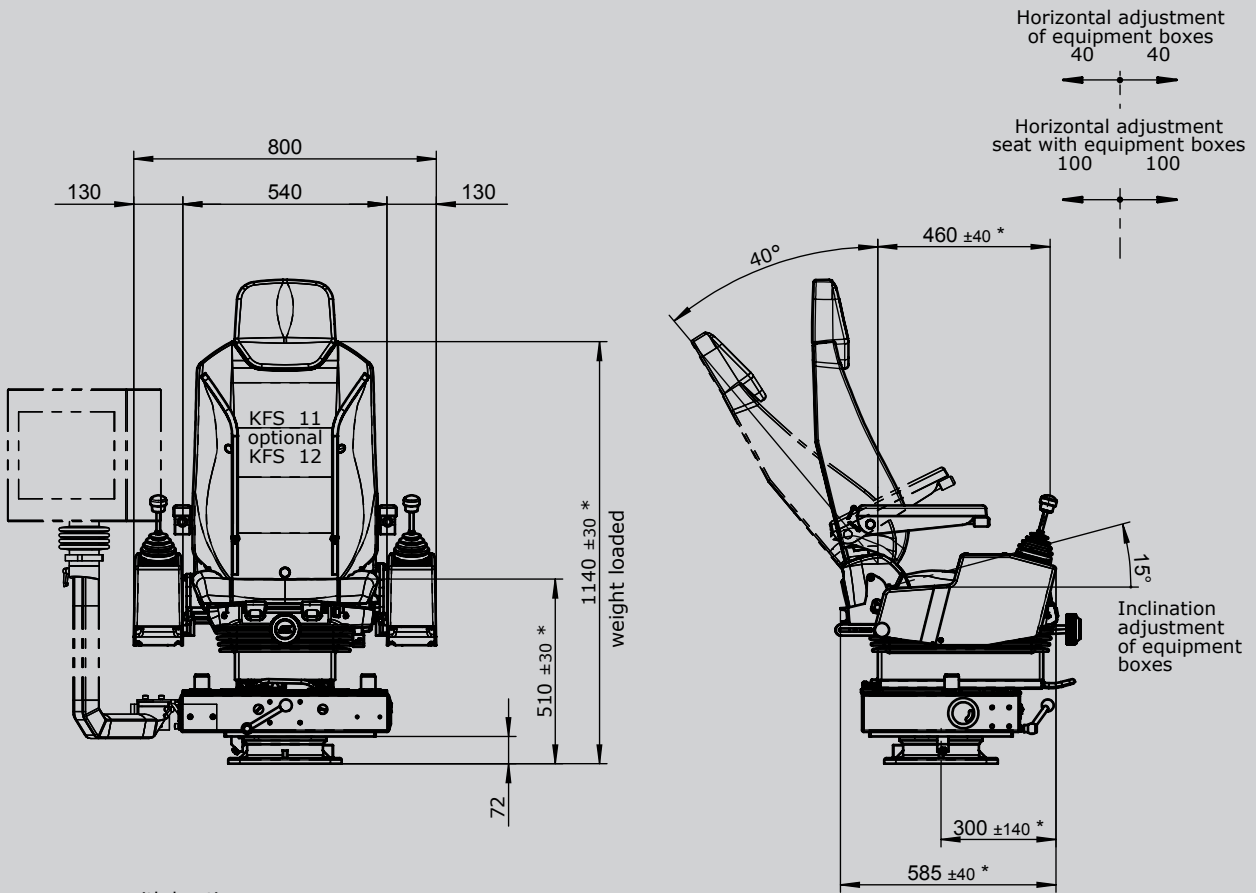
Special model	
X	Special / customer specified
X <sup>2</sup>	Special painted

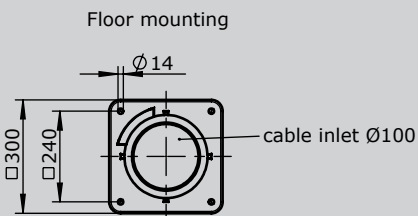
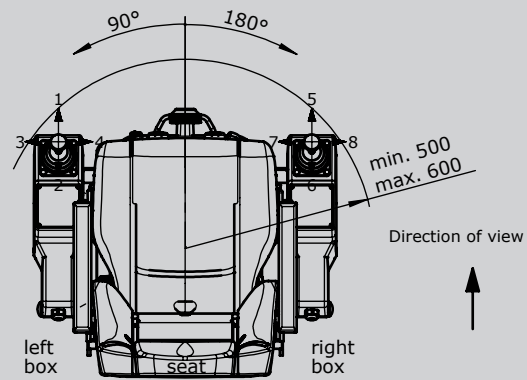
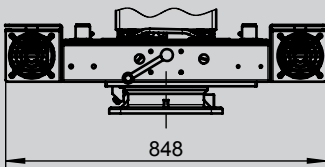
Option	
Radio remote control system	

# Crane Control Unit

## KST6 swiveling



with heating



\* adjustable

3