

# Double-handle Controller

D3



The Double-handle Controller D3 is a robust switching device for nautical navigation applications. The modular design enables the switching device to be used universally. The Double-handle Controller is resistant to oil, maritime conditions e.g. offshore /vessels, UV radiation typically from the sun.

## Technical data

Mechanical life D3	12 million operating cycles
Operation temperature	-40°C to +85°C
Degree of protection	IP66 front



1

	D3	S5	Q / Q	-2 RP	+3 RP	Example		-B	-A05 P484	+A05 P484	-E1292	-S...	-X
<b>Basic unit</b>	D3												
<b>Control-handle extended</b>	S5	-20 mm											
<b>Grip- control handle left</b>	Q	T-grip											
<b>Grip- control handle right</b>	Q	T-grip											
<b>Axis 1 (direction 1-2)</b>	2	2 contacts (1,5A 24 V DC13)											
R		Friction brake											
P		Potentiometer											
<b>Axis 2 (direction 3-4)</b>	3	3 contacts (1,5A 24 V DC13)											
R		Friction brake											
P		Potentiometer											
<b>Cover housing</b>	B	Cover housing											
<b>Description axis 1 (direction 1-2)</b>	A05	Arrangement MSP21											
P484		Potentiometer T318 2 x 5 kOhm											
<b>Description axis 2 (direction 3-4)</b>	A050	Arrangement MSP21-0											
P484		Potentiometer T318 2 x 5 kOhm											
<b>Interface</b>	E1292	Voltage output 0...5...10 V											
<b>Plug connectors</b>	S...	Standard plug connectors (see page 149)											
<b>Special model</b>	X	Special / customer specified											

Technical details may vary based on configuration or application! Technical data subject to change without notice!

# Double-handle Controller

D3



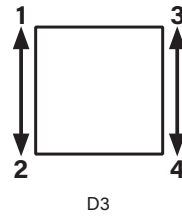
## Combination possibilities with our handles



1

	D3	S5	Q / Q	-	2 RP	+	3 RP	-	B	-	A05	P484	+	A050	P484	-	E1292	-	X
<b>Basic unit</b>																			
D3																			
<b>Control-handle extended*</b>																			
Standard 148 mm*																			
S5 -20 mm																			
S8 +20 mm																			
*Only available in combination with handle!																			
<b>Grip-control-handle left</b>																			
Knob																			
D Push button																			
Q T-grip																			
QD T-grip with push button side																			
<b>Grip-control-handle right</b>																			
Knob																			
D Push button																			
Q T-grip																			
QD T-grip with push button side																			

Identification of the installation variants with switching directions:



	D3	S5	Q / Q	-	2 RP	+	3 RP	-	B	-	A05	P484	+	A050	P484	-	E1292	-	X
<b>Axis 1: direction 1-2 left</b>																			
1 1 contact																			
2 2 contacts																			
3 3 contacts																			
Standard contact- arrangement see page 151																			
e.g.																			
A98 MS0																			
A05 MS21																			
A050 MS21-0																			
A99 contact - arrangement according customer request																			
R Friction brake																			
(P) Mounting options for potentiometer and (Gessmann-types)																			
P Potentiometer																			
P484 T318 2 x 5 kOhm I max. 1 mA																			
More potentiometers on request!																			
H Hall-Potentiometer																			
E14811 0,5...2,5...4,5 V / 4,5...2,5...0,5 V																			

Technical details may vary based on configuration or application! Technical data subject to change without notice!

# Double-handle Controller

D3



D3 S5 Q/Q - 2 RP + 3 RP - B - A05 P484 + A050 P484 - E1292 - X

## Axis 2: direction 3-4 left

1	1 contact	Standard contact- arrangement see page 151		
2	2 contacts	e.g.		
3	3 contacts	A98	MS0	
		A05	MS21	
		A050	MS21-0	
		A99 contact - arrangement according customer request		
R	Friction brake			
(P)	Mounting options for potentiometer (Gessmann-types)			
P	Potentiometer	P484	T318 2 x 5 kOhm	I max. 1 mA
		More potentiometers on request!		
H	Hall-Potentiometer	E14811	0,5...2,5...4,5 V / 4,5...2,5...0,5 V	

1

D3 S5 Q/Q - 2 RP + 3 RP - B - A05 P484 + A050 P484 - E1292 - X

## Cover housing

B Cover housing

## Interface (description the following pages)

Potentiometer output  
 E1xx Voltage output  
 E2xx Current output

## Special model

X Special / customer specified

## Voltage outputs

Supply voltage	11,5-32 V DC		
Wiring	Cable 300 mm long without plug connector		
	Optional with plug connector (standard plug connectors see page 149)		S
0...5...10 V per axis		1 axis	E129 1
		2 axis	2
10...0...10 V per axis		1 axis	E141 1
		2 axis	2
-10...0...+10 V per axis		1 axis	E140 1
		2 axis	2
Voltage output with other value on request!			

## Current outputs

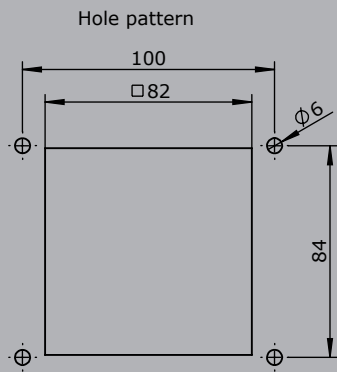
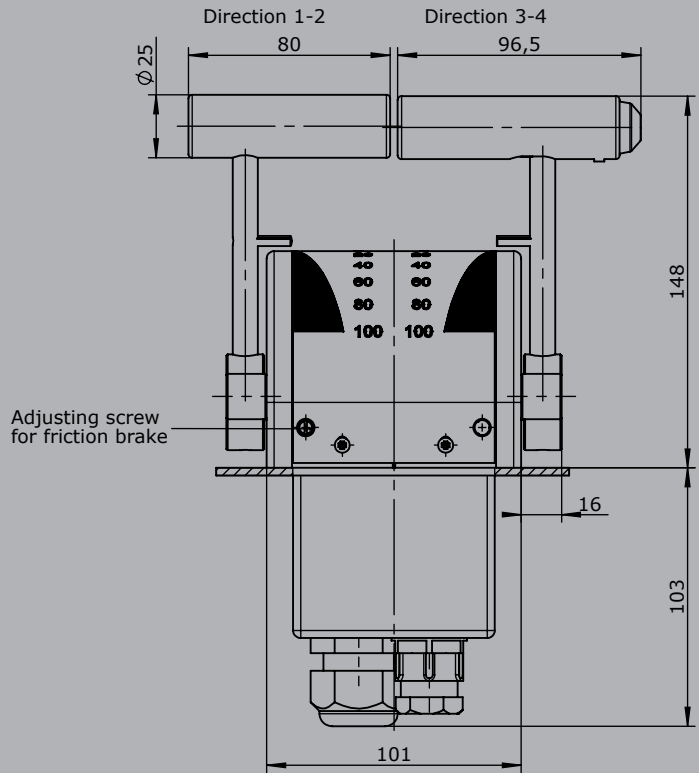
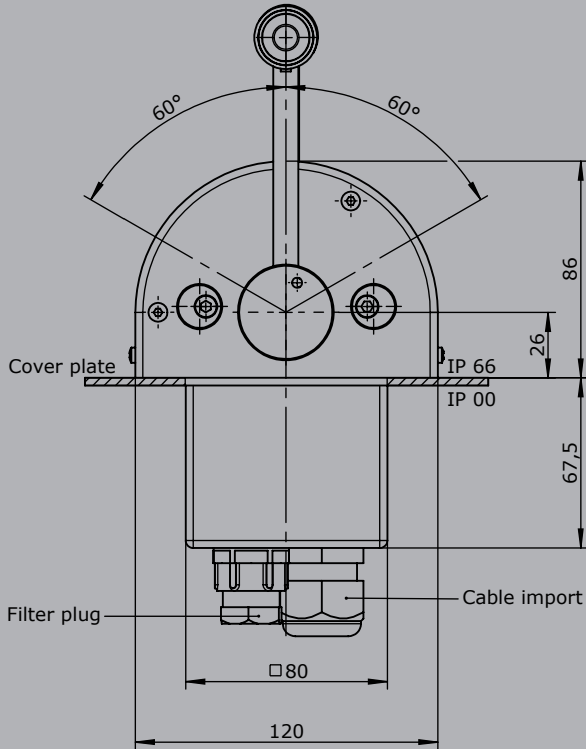
Supply voltage	18-36 V DC		
Wiring	Cable 500 mm long without plug connector		
	Optional with plug connector (standard plug connectors see page 149)		S
4...12...20 mA per axis		1 axis	E209 1
		2 axis	2
20...4...20 mA per axis		1 axis	E217 1
		2 axis	2

# Double-handle Controller

D3



T- grip  
D=Push button



Knob solid  
D= Push button

